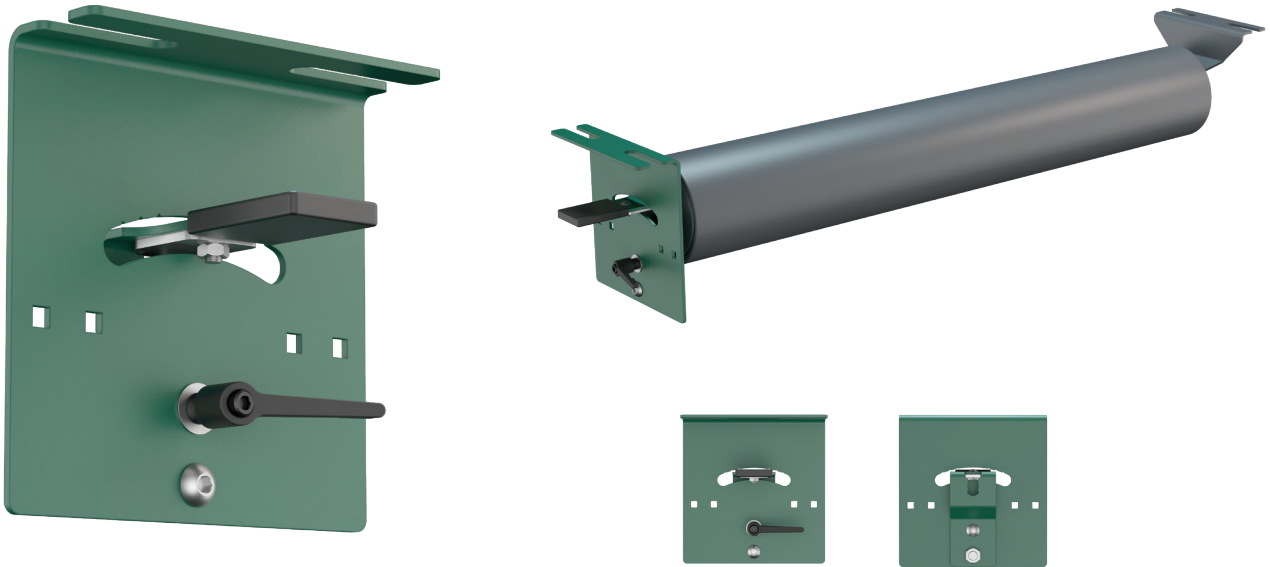


# RETURN TRAINING BRACKET

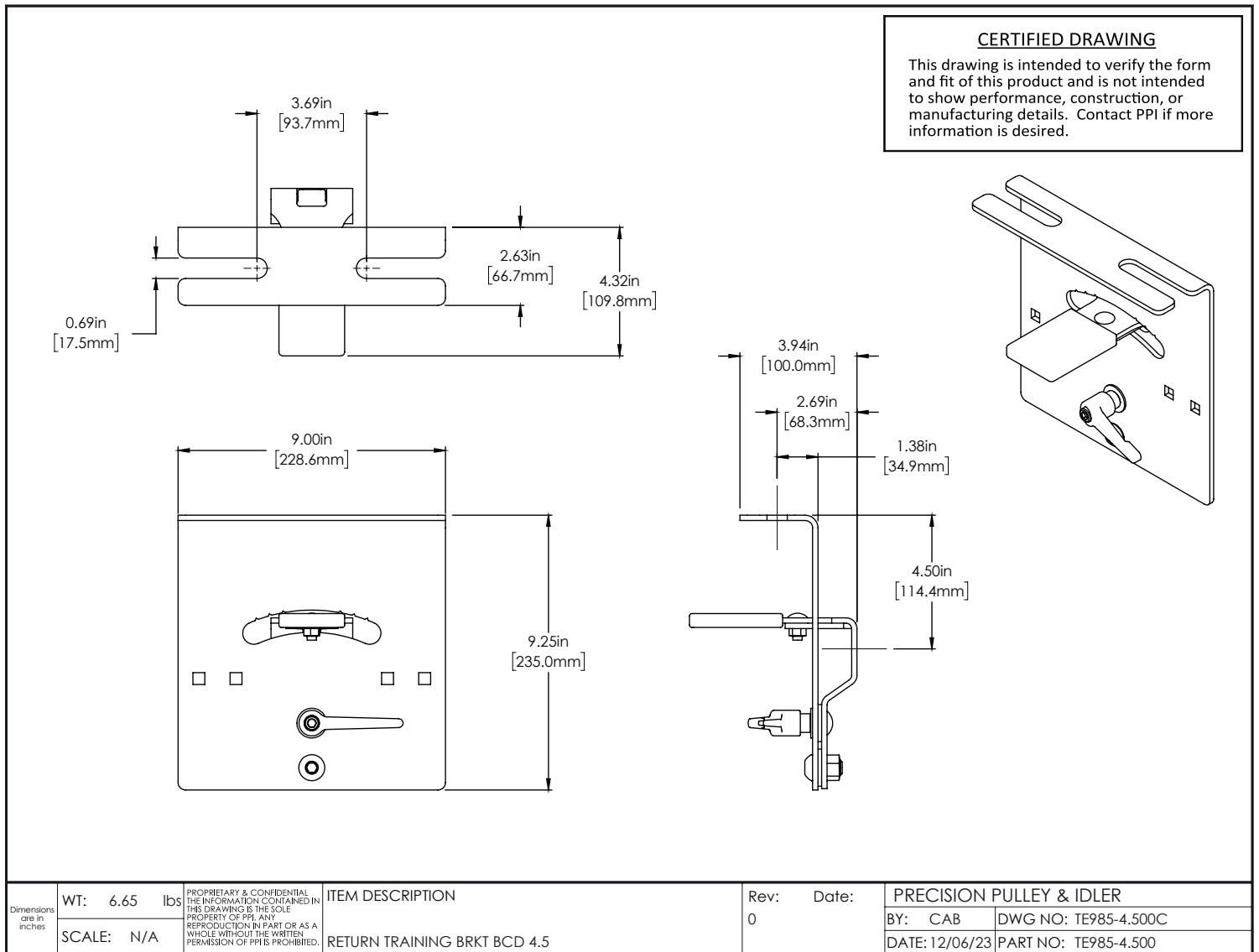


Tracking a conveyor belt has long been a challenge in the bulk material conveying industry. One of the most effective ways of manipulating belt tracking is by knocking idler rolls. PPI's patented Return Training Bracket allows site personnel to knock or skew return idler rolls with ease. PPI's innovative design allows the user to fine tune the return roll position achieving optimal belt travel.

## FEATURES AND BENEFITS

- Easily knock/skew return idlers
- Effective method of training belts
- Large range of adjustment
- Easily identifiable brackets, allows users to manage adjustment points
- Maintenance friendly design
- Direct interchange with PPI 4-1/2" drop brackets
- Available for CEMA B, C, & D applications

# RETURN TRAINING BRACKET



[WWW.PPI-GLOBAL.COM](http://WWW.PPI-GLOBAL.COM) | [SALES@PPI-GLOBAL.COM](mailto:SALES@PPI-GLOBAL.COM)

Product shown are for illustrative purposes only and may display optional accessories or components. Please contact your sales representative for more information on product specifications. PPI respectively reserves the right to make changes in engineering, design and specifications; add improvements; or discontinue manufacturing at any time without notice obligation. PPI, Retro Rolls and their respective logos are trademarks of Precision, Inc. in the US and or other countries.